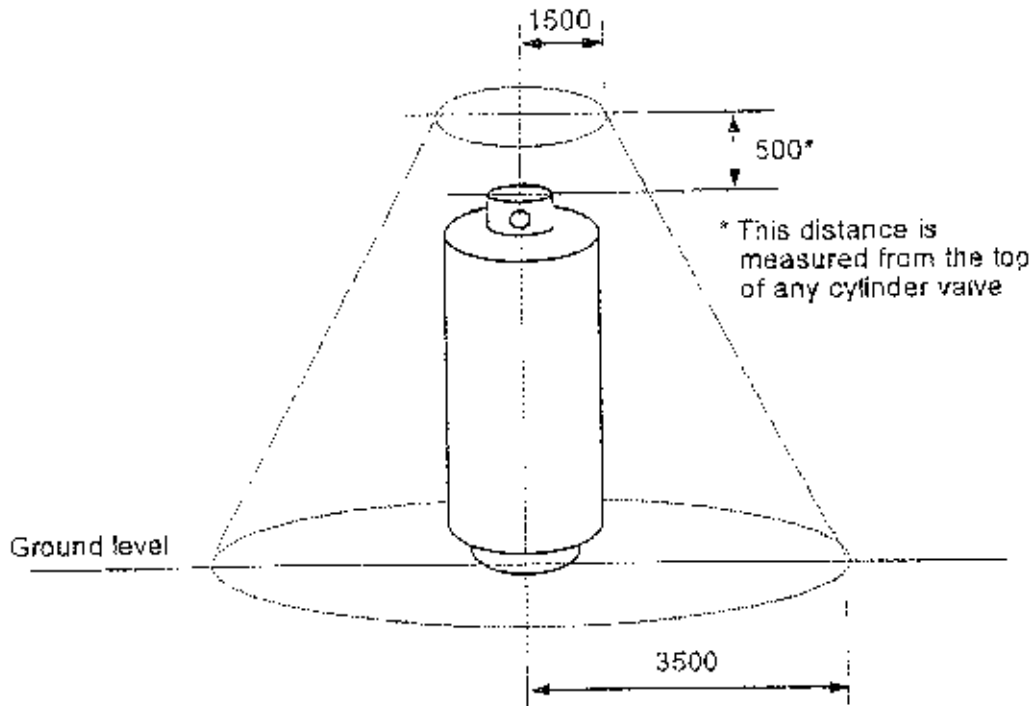


## IN-SITU FILL CYLINDER LOCATION

All dimensions in millimetres

### MINIMUM CLEARANCE TO IGNITION SOURCES



Ignition source not to be within the encompassed area

### MINIMUM CLEARANCE TO A DRAIN OR OPENINGS INTO BUILDINGS

