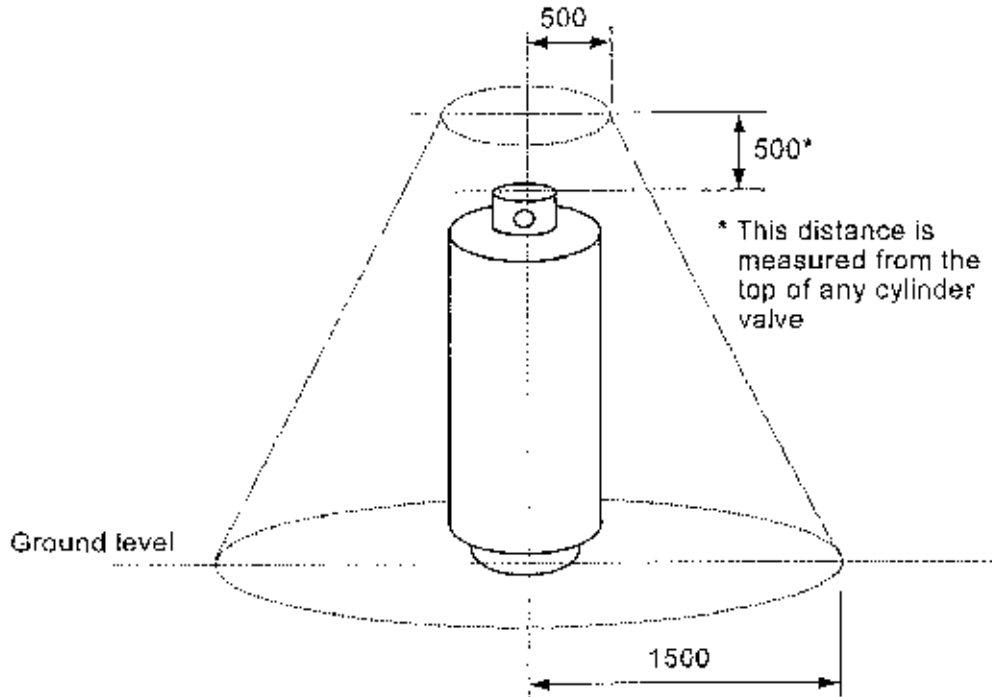


EXCHANGE CYLINDER LOCATION

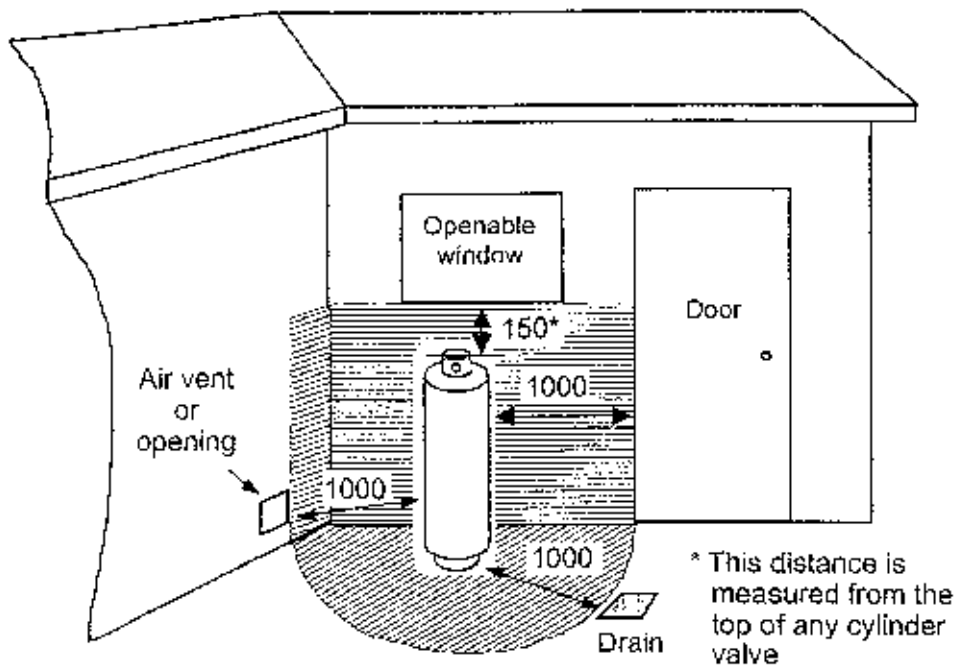
All dimensions in millimetres


MINIMUM CLEARANCE TO IGNITION SOURCES



Ignition source not to be within the encompassed area

MINIMUM CLEARANCE TO A DRAIN OR OPENINGS INTO A BUILDING OR CARAVAN



 Shading indicates prohibited area for a drain or opening